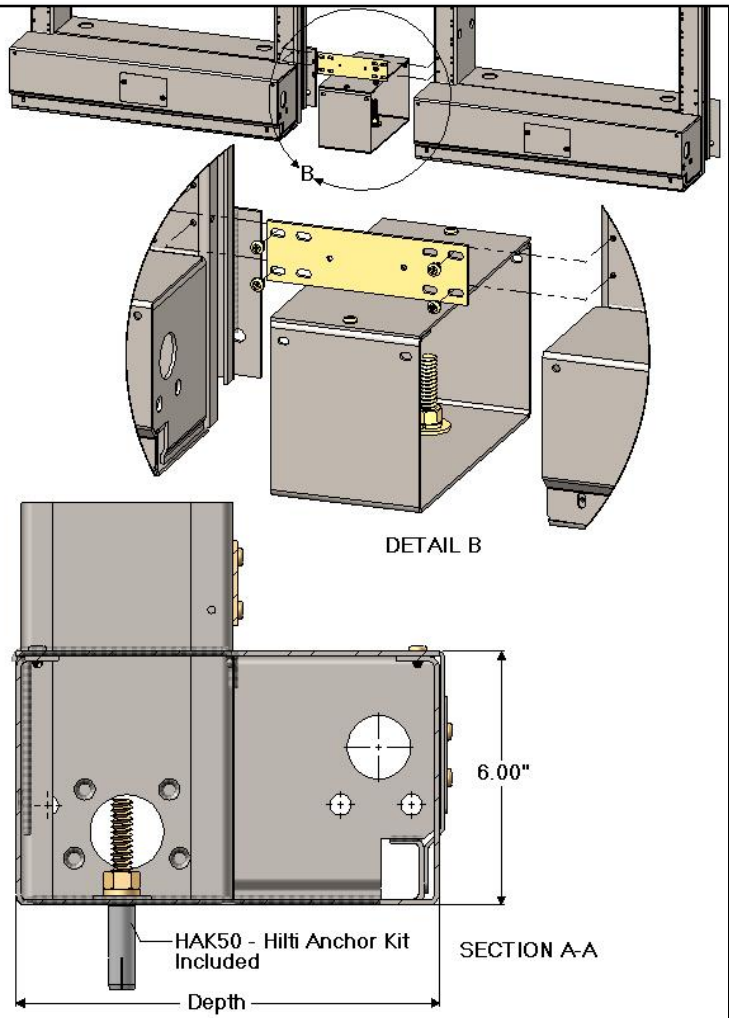
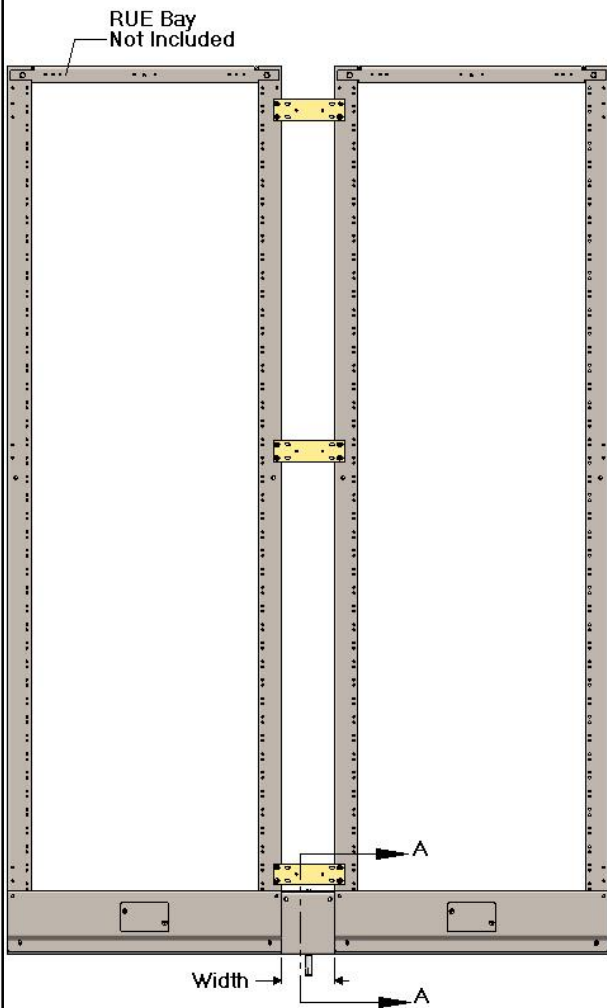




BFO Kit Series - Unequal Flange Base Filler w/out Sides + R5xxZY Connection Plates



BFO Kit Series - Unequal Flange Base Filler w/out Sides + R5xxZY Connection Plates

CSF P/N#	Width	Depth	Connection Plate P/n#
BFO2510xxK	2.50"	10.00"	R506ZY
BFO2512xxK	2.50"	12.00"	R506ZY
BFO2515xxK	2.50"	15.00"	R506ZY
BFO5010xxK	5.00"	10.00"	R512ZY
BFO5012xxK	5.00"	12.00"	R512ZY
BFO5015xxK	5.00"	15.00"	R512ZY
BFO7512xxK	7.50"	12.00"	R516ZY
BFO7515xxK	7.50"	15.00"	R516ZY
BFO1012xxK	10.00"	12.00"	R520ZY
BFO1015xxK	10.00"	15.00"	R520ZY

HAK50 - Hilti Anchor Kit for Base Filler

Item	CSF P/N#	QTY	Description
1	TR29	1	1/2-13 Threaded Rod x 3.25" Length
2	HN147	1	1/2-13 Hex Nut
3	LW157	1	1/2" Spring Lock Washer
4	FW167	1	1/2" Flat Washer
5	HL336427	1	Hilti HDI 1/2" Drop In Anchor
6	PH0401FST	2	12-24 x 3/8" Lg. PH Phil Cutting Not Shown
7	FW168	1	5/8" Flat Washer - Not Shown

Notes:

- Kit includes all mounting hardware, Base Filler Unit and Cover.
- Other Sizes available upon request.

Specifications subject to change. Please contact CSF Customer Service for more information.